

XL-10

Battery Powered Elapsed Time Indicator

Features

- 6 Digit Display
- 5-260 VDC or VAC Count Inputs
- Switch Closure Inputs
- Programmable Resolution
- 10 Year Battery Operation
- 2-Wire Hook-Up
- Backlit Display (optional)
- Heated (optional)



TIMERS

Description:

The XL-10 timer series offers a wide variety of time bases, crisp, sharp liquid crystal display digits and a built-in power source designed to last 10 years. Digits .5" high readout in hours, minutes or seconds and tenths or hundredths of any basic time resolution. An extruded aluminum housing provides good looks and a rugged frame perfect for most industrial applications. Best of all, simple 2 wire installation makes replacing older electro-mechanical timers a snap. In short, the XL-10 timer brings state of the art technology to electromechanical applications at a price that is designed to fit your budget.

Specifications:

Timing Range:

Hours, hours and 1/10ths, 1/100ths. Minutes, minutes and 1/10ths, 1/100ths. Seconds, seconds and 1/10ths.

Power Supply:

Built-in lithium battery designed for 10 years life. No external power source required.

Mounting:

Wall or Panel Reset: Key operated or push-button.

No. of Digits:

6 liquid crystal display.

Temperature:

No external power source needed for use in applications to -20°C. Optional heater operates from an external 12 to 28 Volt source, permitting operation to -40°C.

Backlighting:

For use where ambient light is insufficient or night viewing is required. This optional feature is powered by a separate 110 VAC and use of this feature in no way affects the lithium battery which powers the timer itself.

Termination:

10" long color coded wire leads.

Initiation:

Pulse, momentary, switch closure, voltage level or single dry switch. Pulse activation requires 10 m/s min. pulse width. 5-11 volts AC/ DC or 12-260 volts AC/DC may be used for pulse activation.

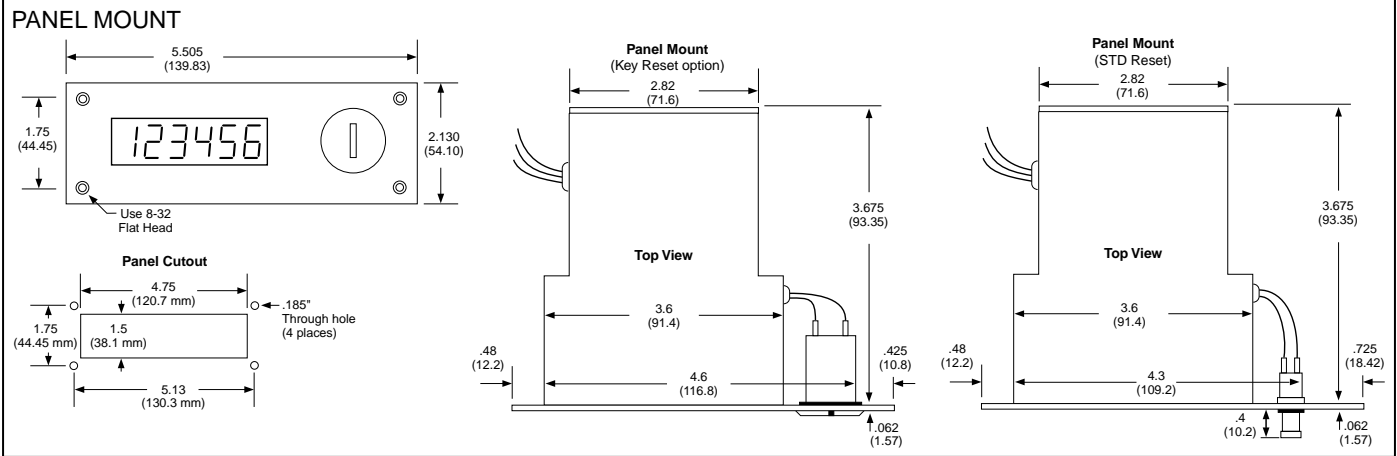
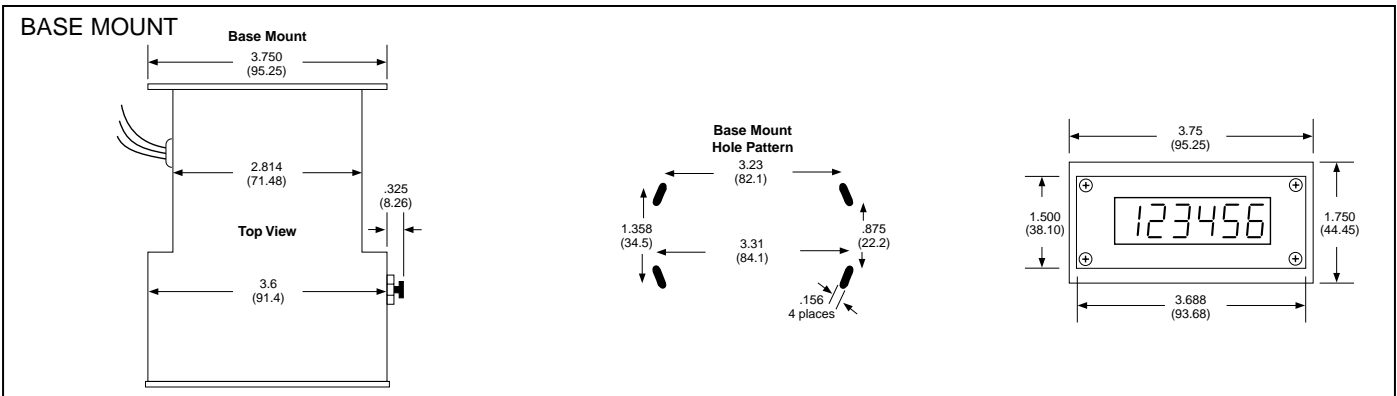
Accuracy:

0.1% based on an internal 60Hz time base.

Switch Settings

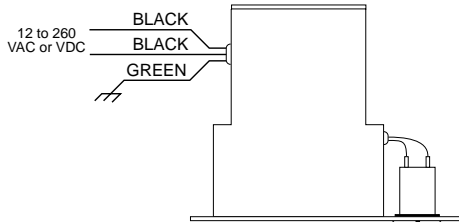
1	2	3	4	5	6	7	8	
X								Sec. 1/10
	X							Sec.
		X				X		Min. 1/100
			X			X		Min 1/10
				X		X		Hrs. 1/100
					X	X		Hrs. 1/10
		X						Min.
					X			Hrs.
							X	Level Activation (switch closure)
								JK Activation (pulse to start, pulse to stop)

X = Switch On

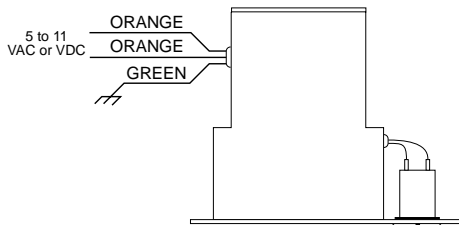


Wiring:

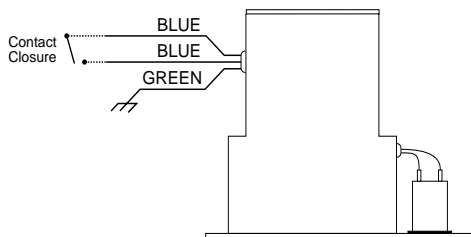
Timer Inputs VL & JKV (12 to 260 V)



Timer Inputs VL & JKV (5 to 11V)



Timer Inputs C & JKC (Contact closures)



How To Order:

EXAMPLE:	XL-10	P	1	JKV(5)	2	LT
Series	_____					
Mounting	_____					
P = Panel (front reset) B = Base (side reset)						
Reset	_____					
1 = Standard reset 2 = Key switch (Panel mount only)						
Input to Time	_____					
C = Dry switch closure VL = Voltage level (specify voltage) JKC = Momentary switch closure (on/pulse off/pulse) JKV = Voltage pulse (on/pulse off/pulse; specify voltage)						
Timing Resolutions	_____					
1 = Hours 2 = Hours & 1/10ths 3 = Hours & 1/100ths 4 = Min. & 1/10ths 5 = Min. & 1/100ths 6 = Seconds 7 = Seconds & 1/10ths 8 = Minutes						
Options	_____					
BL = Back lighting RR = Remote Reset LT = Heated—Add LT for -20°C to -40°C (requires external 12 to 28 VAC or DC power supply)						